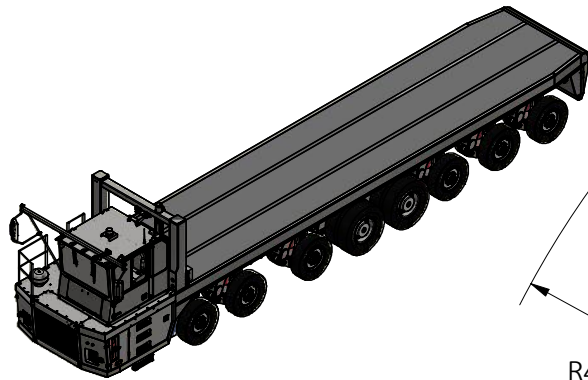


PRELIMINARY DRAWING

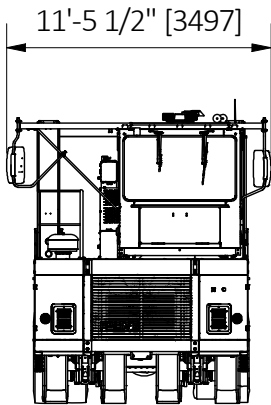


R40'-7 1/2" [R12386]

R18'-7 1/2" [R5679]

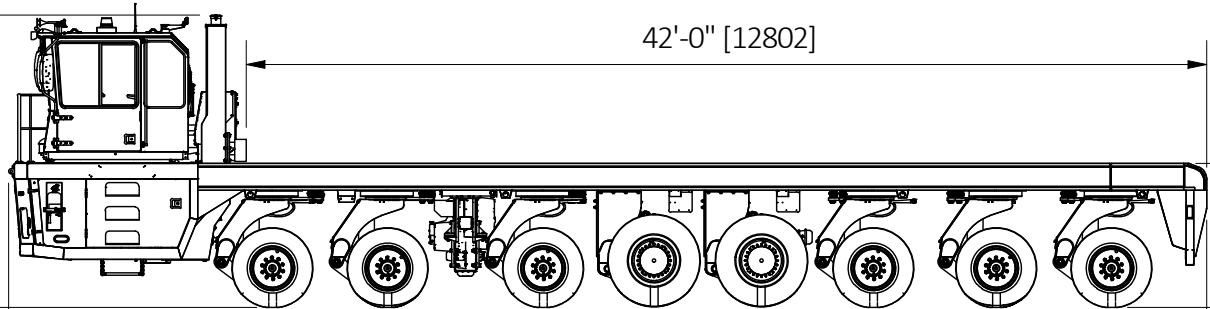
R34'-11" [R10643]

9'-3" [2819]



11'-5 1/2" [3497]

DRIVE HEIGHT: 12'-8 1/2" [3871]
LOWERED HEIGHT: 11'-8 1/2" [3566]



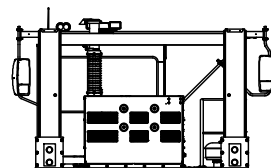
42'-0" [12802]

52'-0" [15847]

75 [1900] DRIVE HEIGHT
63 [1600] LOWERED HEIGHT

TRANSPORTER SPECIFICATIONS:

PAYLOAD CAPACITY: 200 TON
EMPTY VEHICLE WEIGHT (EVW): 55 TON
GROSS VEHICLE WEIGHT (GVW): 255 TON
AXLE LINES: 8 - 2 DRIVEN & 6 STEERING
AXLE LOAD AT GVW: 63,750 LB
TIRE LOAD AT GVW: 15,937 LB
GROUND PRESSURE AT GVW: 135 PSI



U.S. EPA TIER 4 EMISSIONS
CLEAN EMISSIONS MODULE (CEM)

UNITS IN BRACKETS ARE [MM].



1632 BURLINGTON STREET EAST, HAMILTON, ON L8H 3L3, CANADA

TITLE: CTS 200 TRANSPORTER - SI20082-111-T4

SCALE: 1 / 100

DATE: 2024-01-16

DESIGNED: FREDERICH P.

CHECKED: ANKIT L.

DRAWN: FREDERICH P.

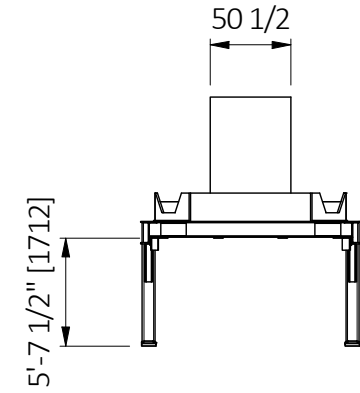
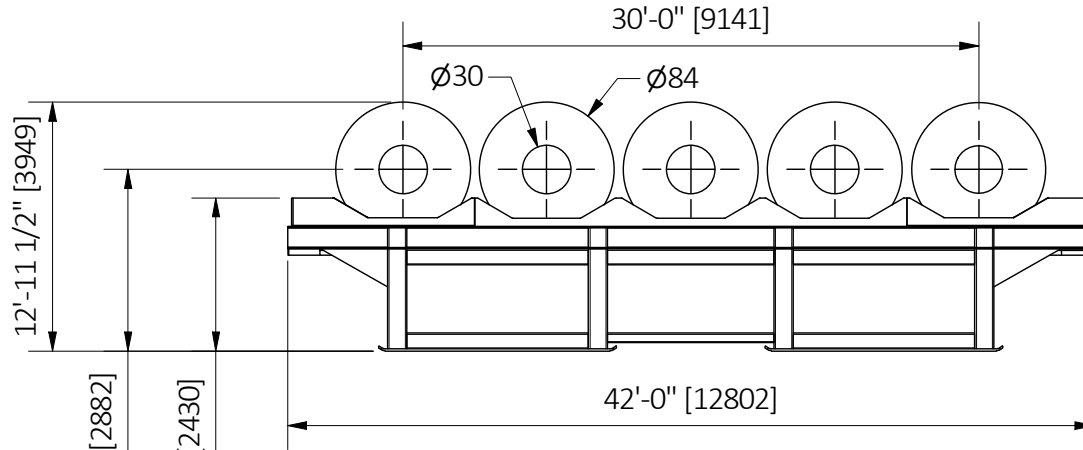
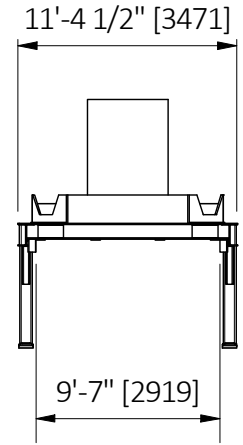
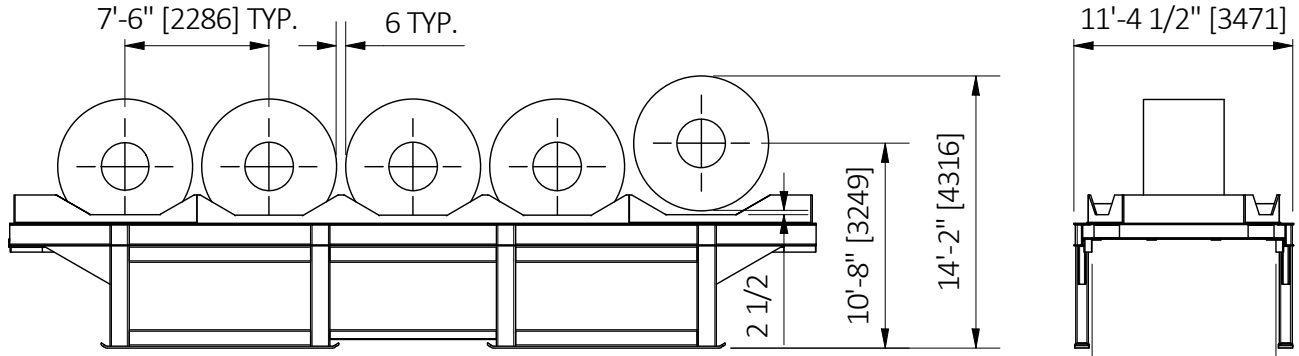
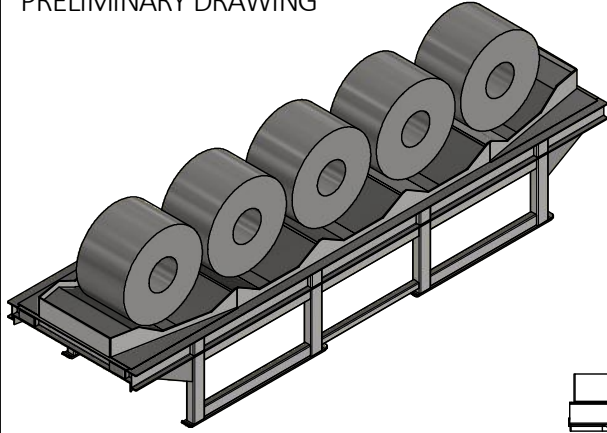
APPROVED: RICCARDO B.

DRAWING NO.
SI20082-111-T4

QUOTE NO.
XXXXXX

SHEET
1 OF 3

PRELIMINARY DRAWING



COIL SPECIFICATIONS:

- A PALLET PAYLOAD CAPACITY: 175 TON
- PALLET WEIGHT: 25 TON
- GROSS PALLET WEIGHT: 200 TON
- GROUND PRESSURE: 80 PSI

UNITS IN BRACKETS ARE [MM].



1632 BURLINGTON STREET EAST, HAMILTON, ON L8H 3L3, CANADA

TITLE: CP175-111 - 175 TON COIL PALLET - 5 BUNK - SUNK-IN

SCALE: 1/120

DATE: 2024-01-16

DESIGNED: KEVIN D.

CHECKED: ANKIT L.

DRAWN: KEVIN D.

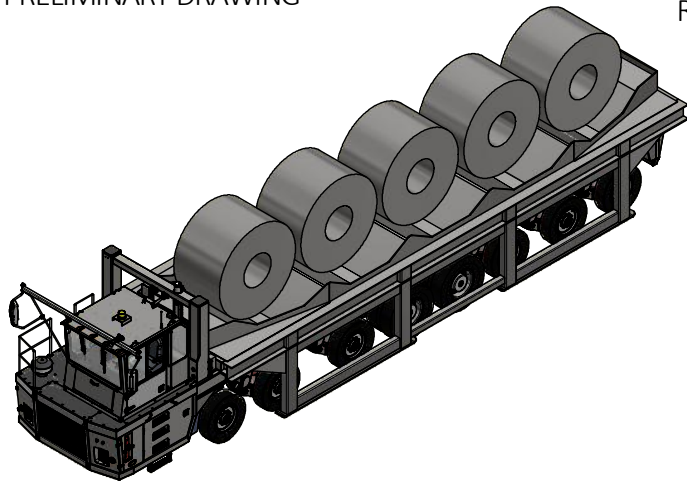
APPROVED: RICCARDO B.

DRAWING NO.
CP175-111 - 5 BUNK-2

QUOTE NO.
XXXXXX

SHEET
2 OF 3

PRELIMINARY DRAWING



R40'-7 1/2" [R12386]

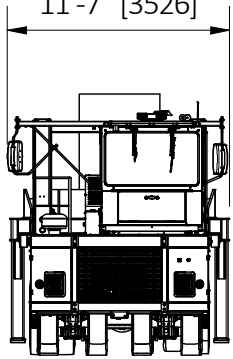
R36'-4 1/2" [R11086]

9'-3" [2819]

50 1/2

R17'-6 1/2" [R5344]

11'-7" [3526]

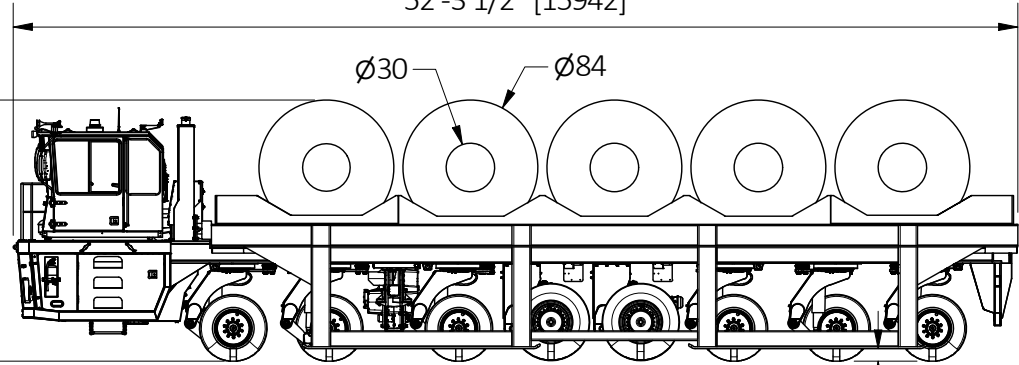


52'-3 1/2" [15942]

Ø30

Ø84

DRIVE HEIGHT: 13'-7" [4143]
LOWERED HEIGHT: 12'-7" [3840]



SHOWN IN DRIVE HEIGHT

∞



1632 BURLINGTON STREET EAST, HAMILTON, ON L8H 3L3, CANADA

TITLE: CTS 200 - SI20082-111-T4 W/ CP175-111- 5 BUNK - SUNK-IN

SCALE: 1 / 120

DATE: 2024-01-16

DESIGNED: KEVIN D.

CHECKED: ANKIT L.

DRAWN: KEVIN D.

APPROVED: RICCARDO B.

DRAWING NO.

QUOTE NO.

SHEET

POWER UNIT: CTS 200 TRANSPORTER - SI20082-111-T4

PALLET: CP175-111 - 175 TON COIL PALLET - 5 BUNK - SUNK-IN

UNITS IN BRACKETS ARE [MM].

SI20082-111 W/ PALLETS

XXXXXX

3 OF 3